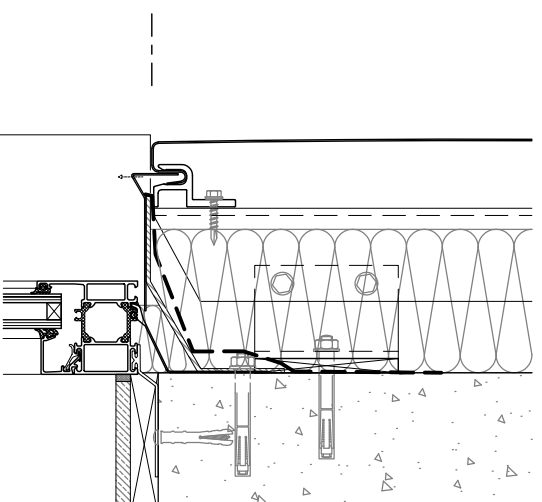
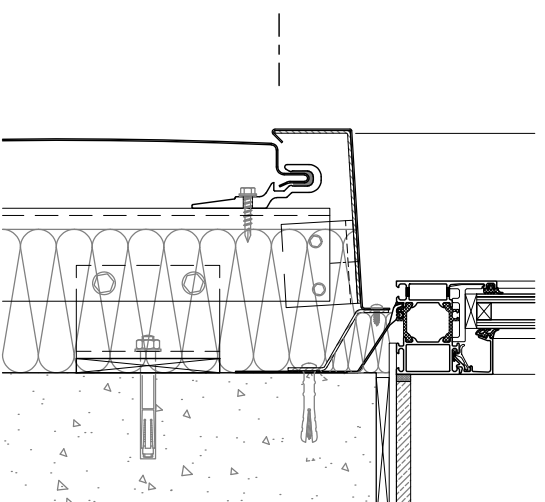


## Multiple Panel Façade horizontal installed

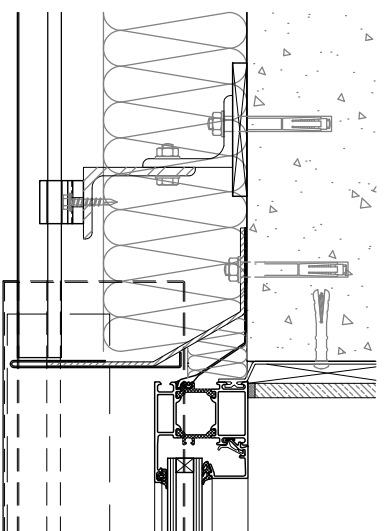
- Horizontally and vertically oriented panels
- 1mm ("T") or 25mm ("U") wide joints
- Installation on clamps or carrier
- Skins from aluminium (coated or anodised), copper, stainless steel, zinc, etc
- Various options for panel end-joint cut end, closed end, flashing, splice, etc



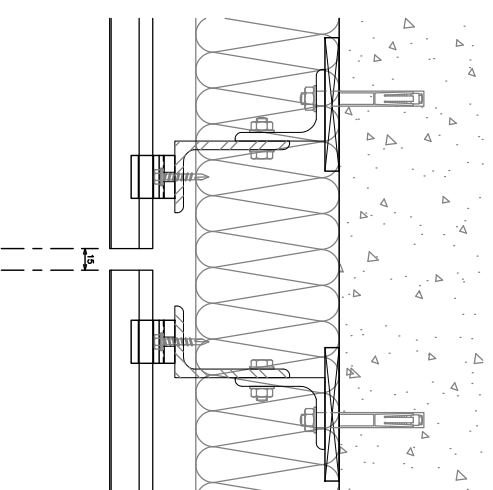
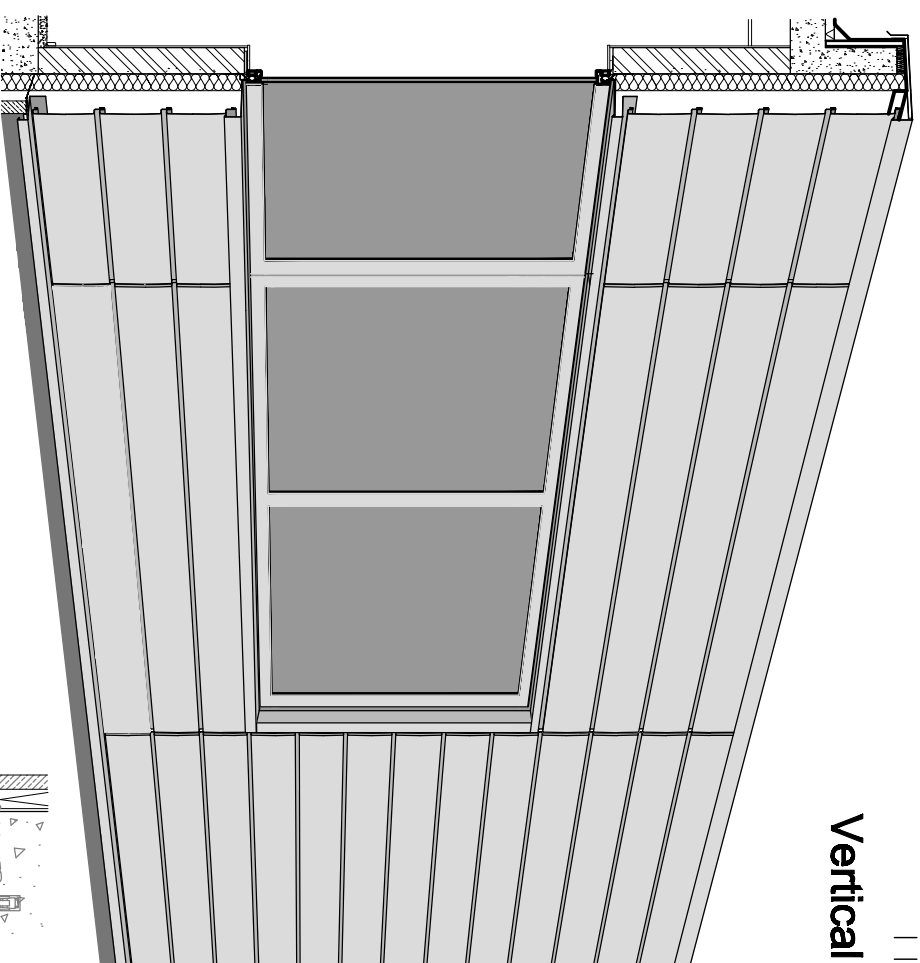
Window Head



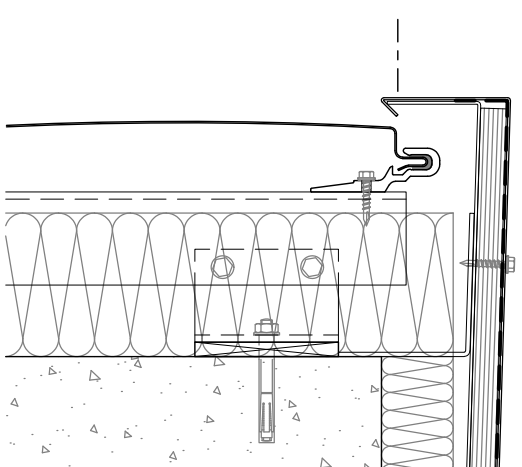
Window Cill



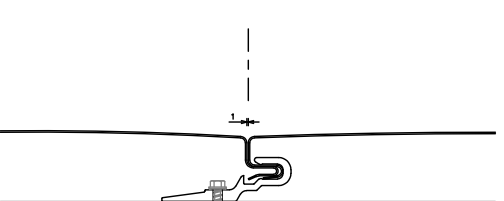
L/H Window Jamb



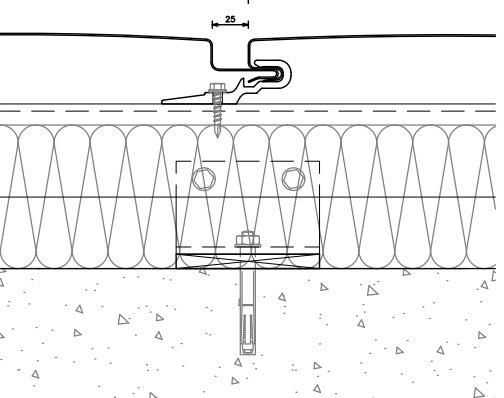
Vertical Joint



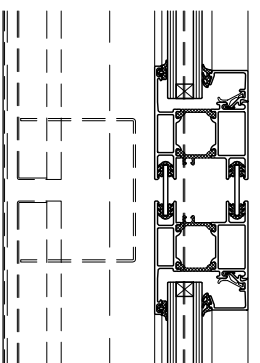
Parapet



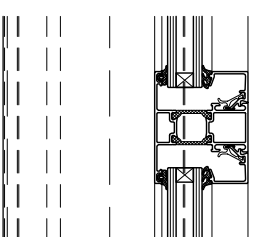
Horizontal "T"-Joint



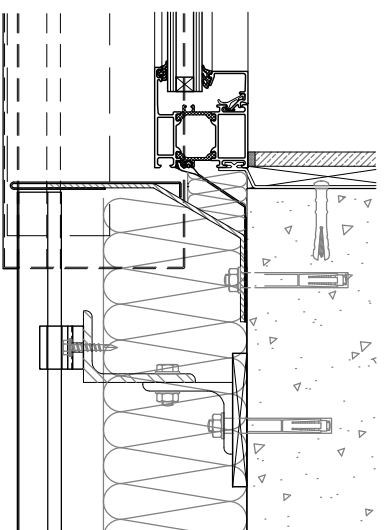
Horizontal "U"-Joint



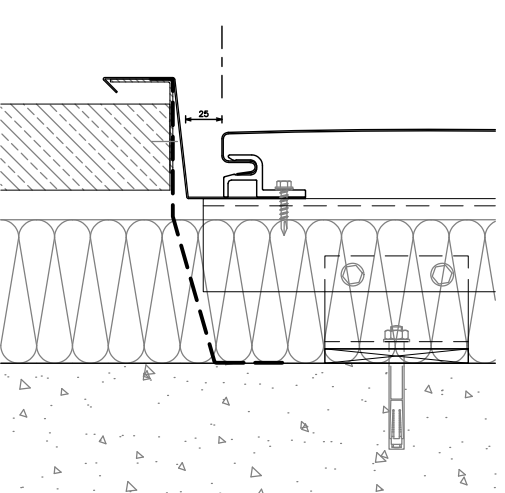
Connection



Mullion



R/H Window Jamb



Cill

# Multiple Panel Façade

## SYSTEM ON CLAMPS

PANEL ORIENTATION HORIZONTAL  
VERSION 003

**HunterDouglas**  
FAÇADES

© THIS DRAWING IS COPYRIGHT AND SHOULD NOT BE USED OR PRODUCED FOR ANY PURPOSE OTHER THAN FOR WHICH IT IS SUPPLIED. PERMISSION IS GRANTED TO REPRODUCE THIS DRAWING FOR PERSONAL USE WITHOUT WRITTEN CONSENT FROM HUNTER DOUGLAS CONSTRUCTION ELEMENTS BY

PRODUCED BY HUNTER DOUGLAS  
CONSTRUCTION ELEMENTS BY  
INDUSTRIEPARK 17, 9350 AC LIEB, NETHERLANDS +31 (0)994 515333