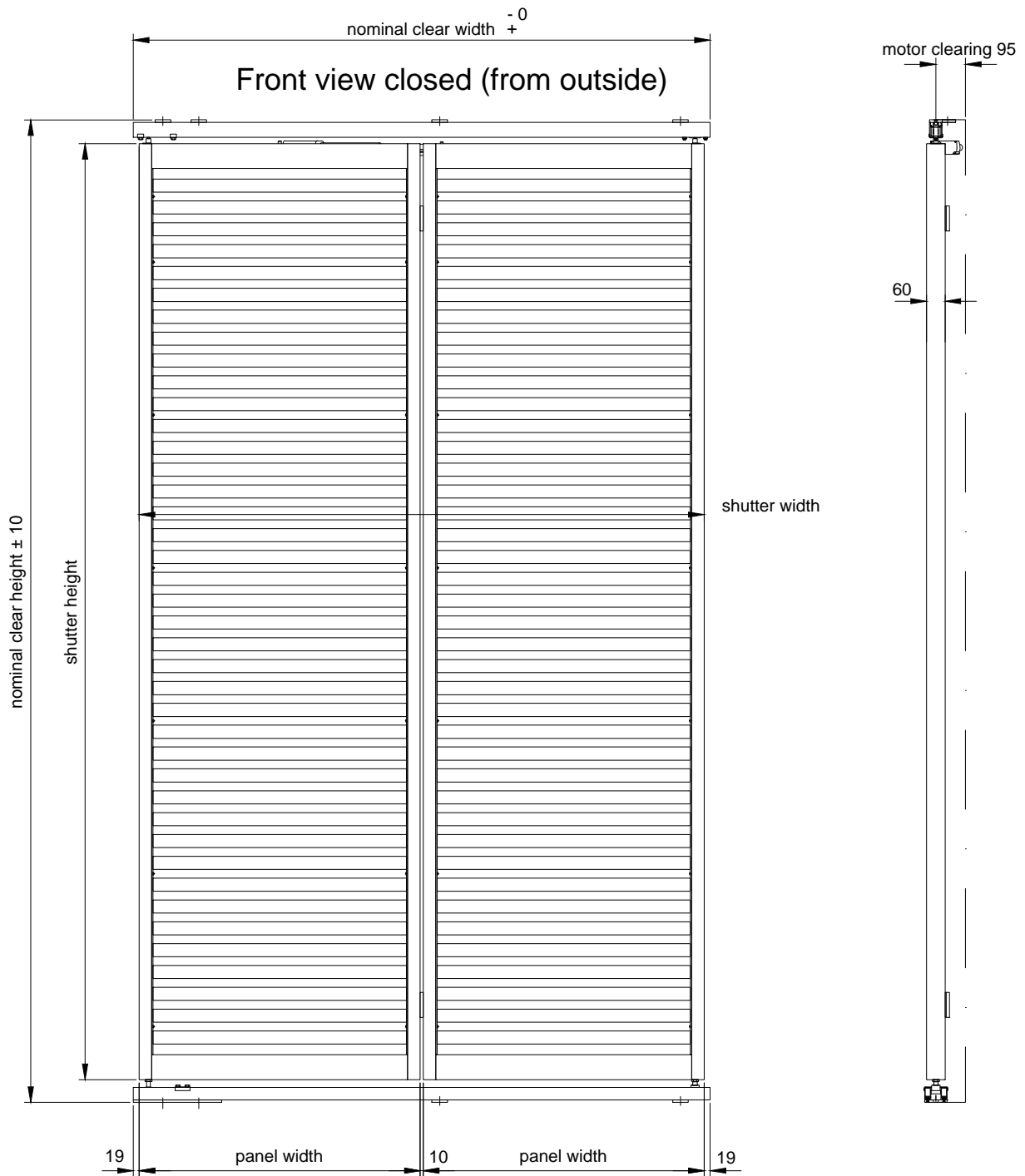


# Motorized system



# HunterDouglas

HUNTER DOUGLAS EUROPE B.V.

Architectural Projects

Window Coverings

Ceilings

Sun Control

Façades

Drwg.No.

SC-FS-FINS-2D-01

Subject: Folding shutter / motor / fins view outside

Date:

11.11.2014

Size:

A4

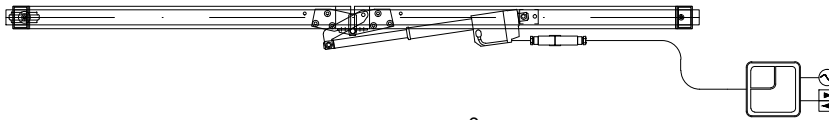
Scale:

1:20

Rev:

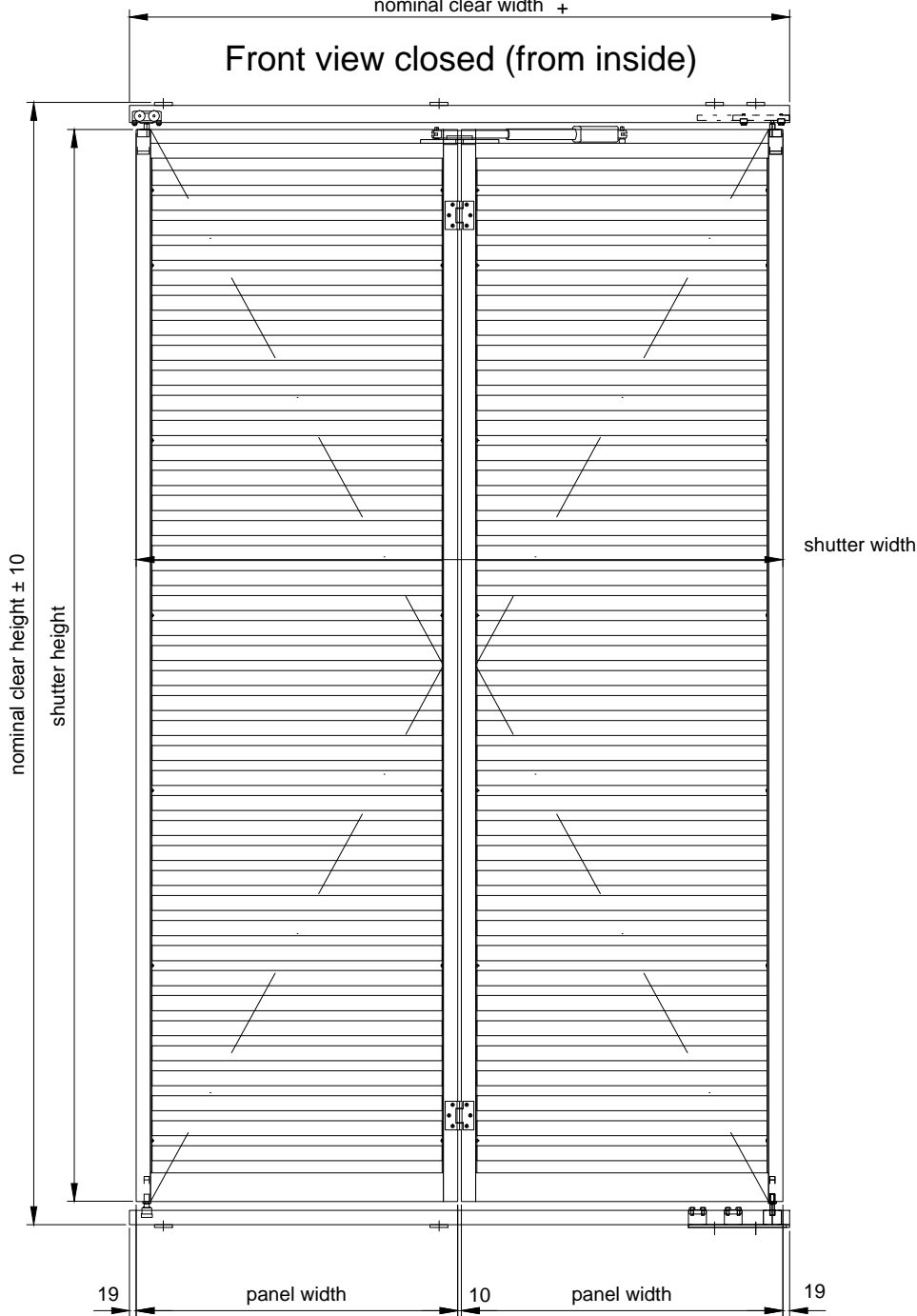
00

Top view closed



nominal clear width  $-0$   
 $+$

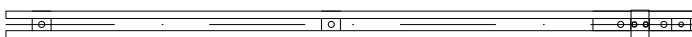
Front view closed (from inside)



Section



Top view bottom rail



**HunterDouglas**

HUNTER DOUGLAS EUROPE B.V.

Architectural Projects

Window Coverings

Ceilings

Sun Control

Façades

Drwg.No.

SC-FS-FINS-2D-02

Subject: Folding shutter / motor / fins / closed

Date:

11.11.2014

Size:

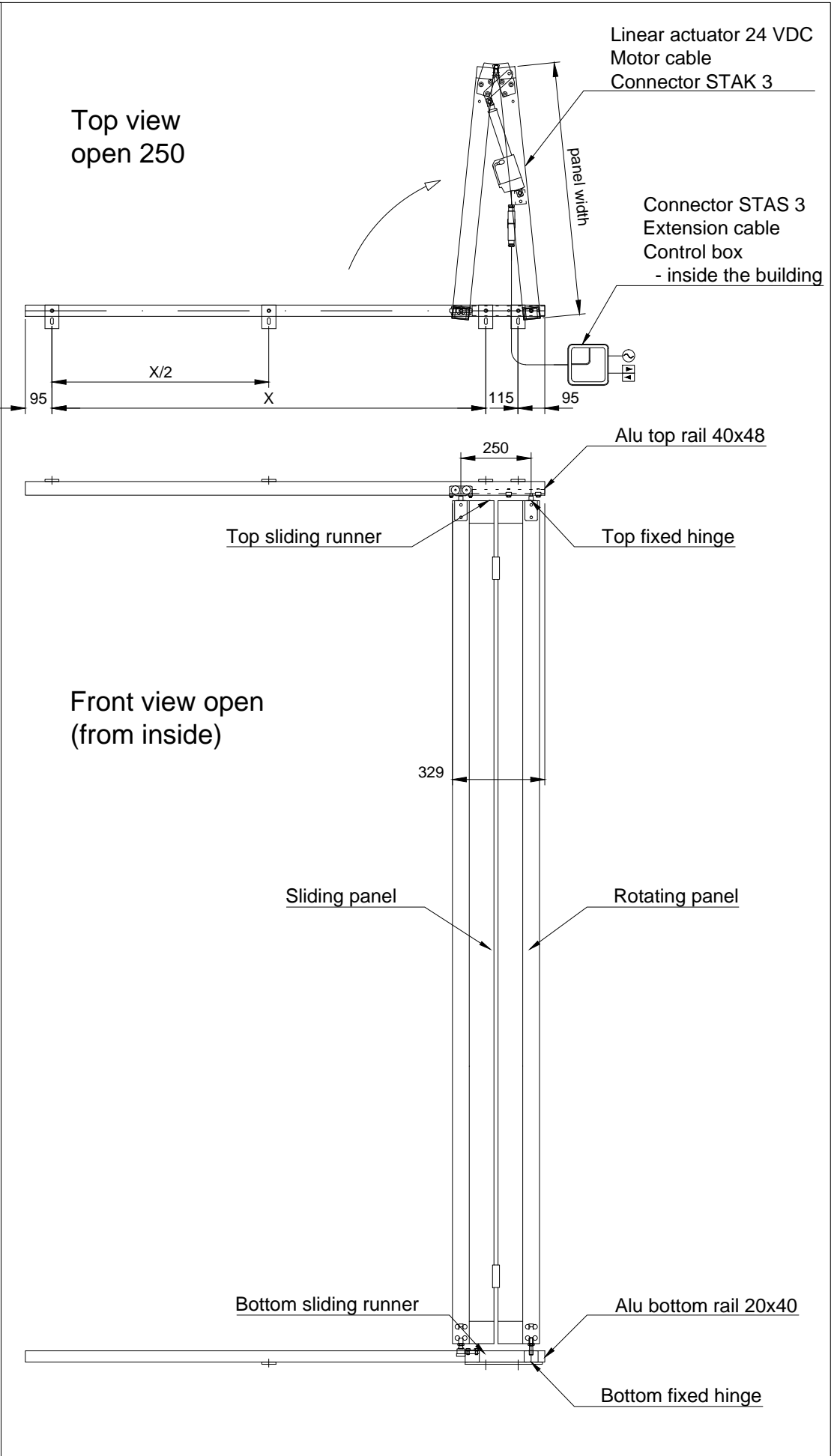
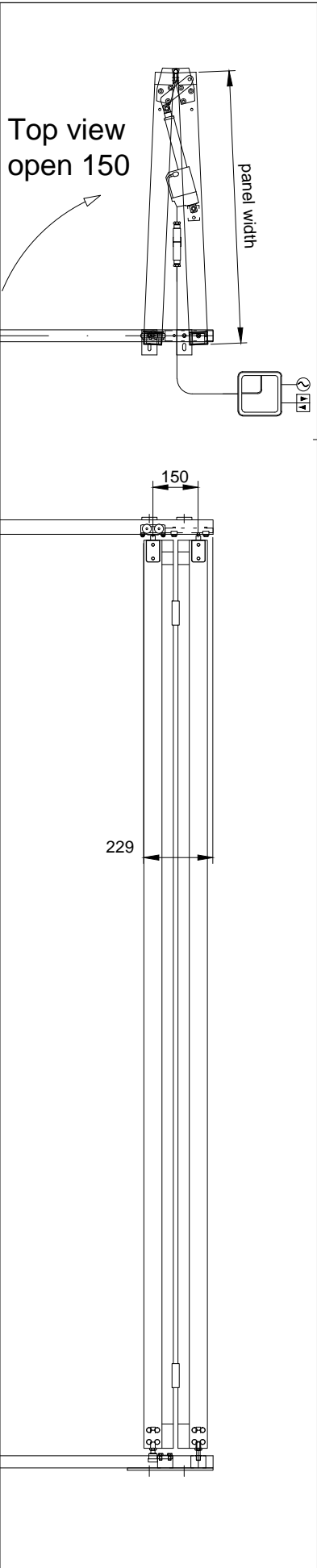
A4

Scale:

1:20

Rev:

00



# HunterDouglas

HUNTER DOUGLAS EUROPE B.V.

Architectural Projects

Window Coverings

Ceilings

Sun Control

Façades

Drwg.No.

SC-FS-FINS-2D-03

Subject: Folding shutter / motor / fins / open

Date:

11.11.2014

Size:

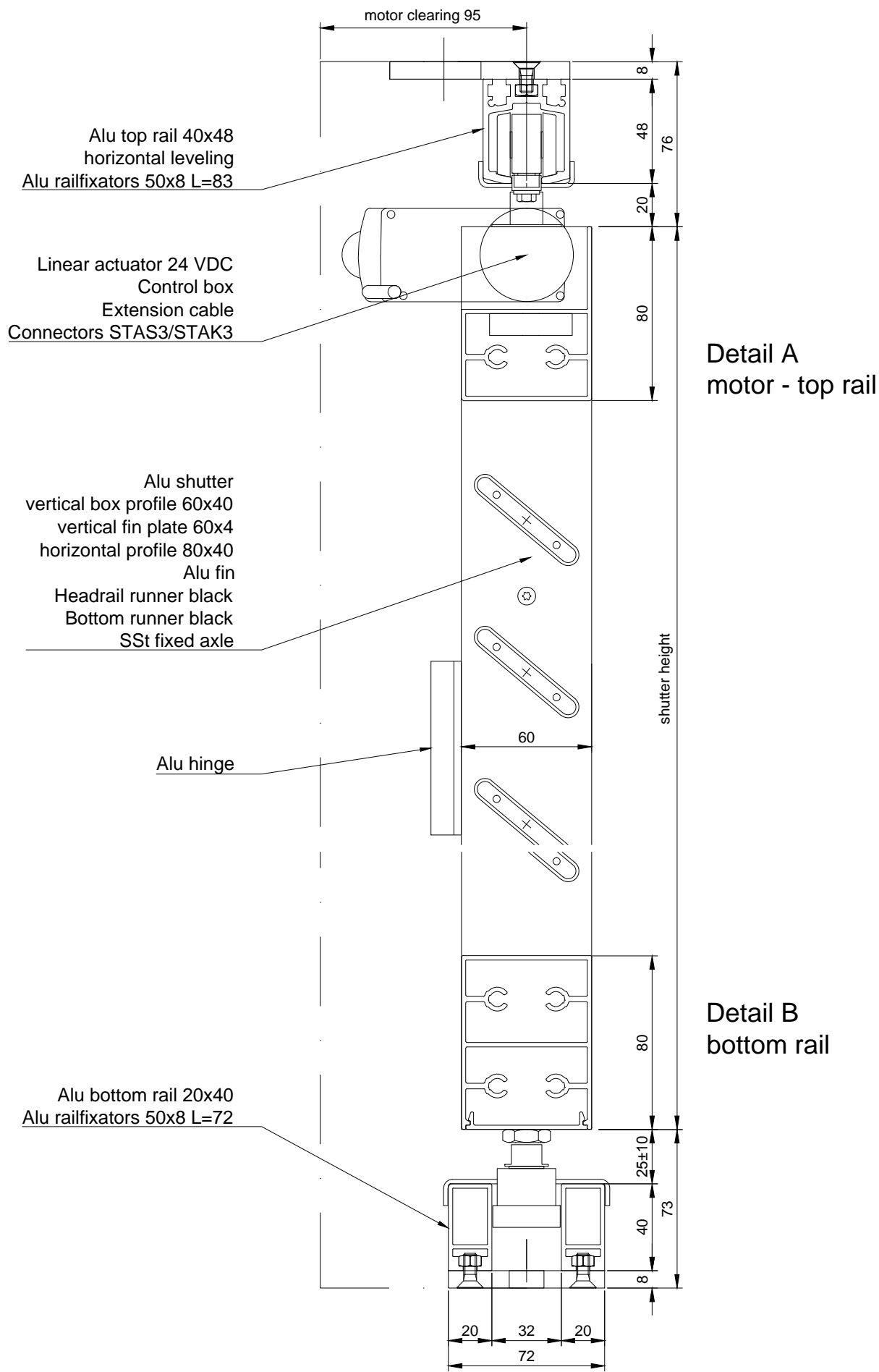
A4

Scale:

1:20

Rev:

00



# HunterDouglas

HUNTER DOUGLAS EUROPE B.V.

Architectural Projects

Window Coverings

Ceilings

Sun Control

Façades

Drwg.No.

SC-FS-FINS-2D-04

Subject: Folding shutter / motor / fins / details

Date:

11.11.2014

Size:

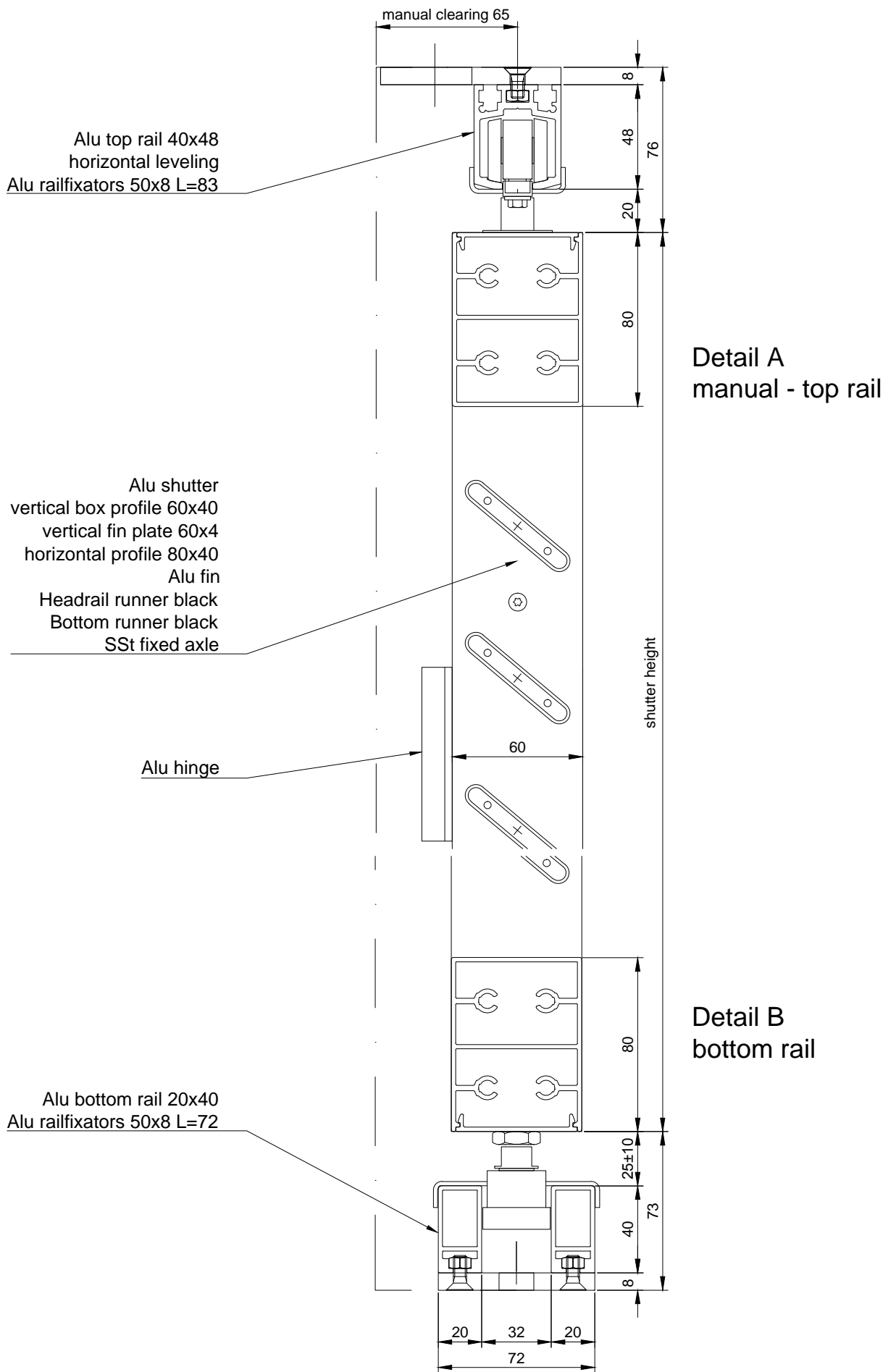
A4

Scale:

1:2,5

Rev:

00



# HunterDouglas

HUNTER DOUGLAS EUROPE B.V.

Architectural Projects

Window Coverings

Ceilings

Sun Control

Façades

Drwg.No.

SC-FS-FINS-2D-05

Subject: Folding shutter / manual / fins / details

Date:

11.11.2014

Size:

A4

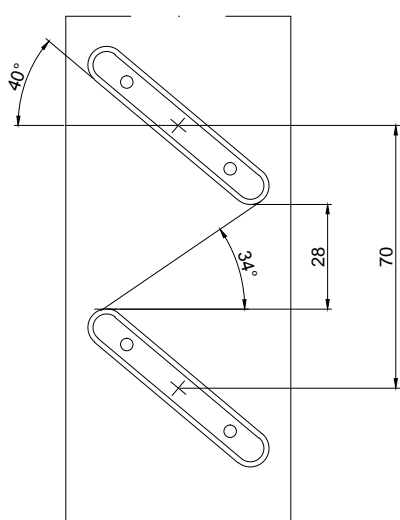
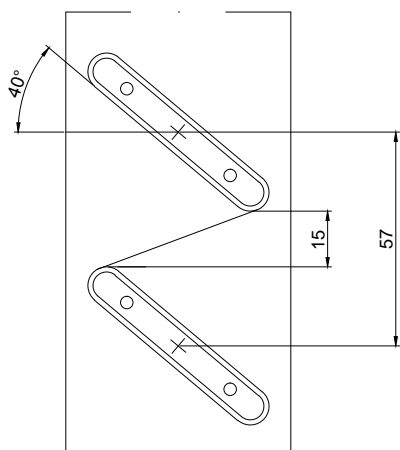
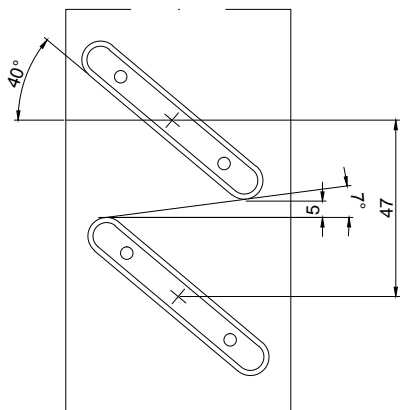
Scale:

1:2,5

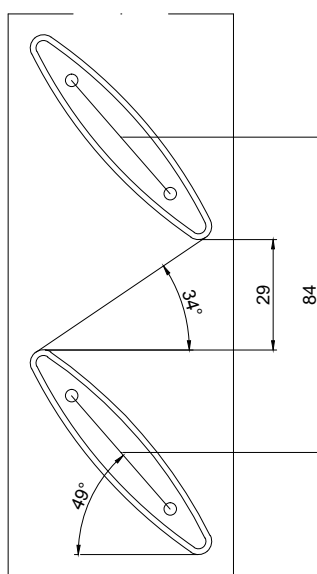
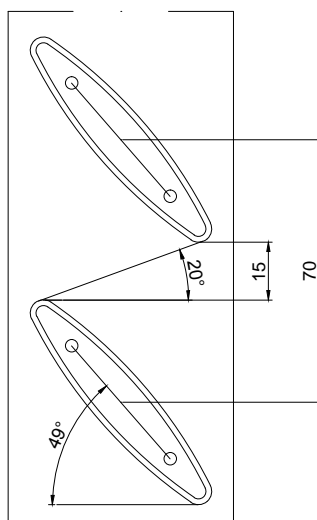
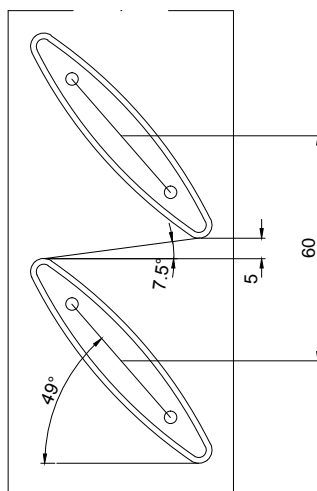
Rev:

00

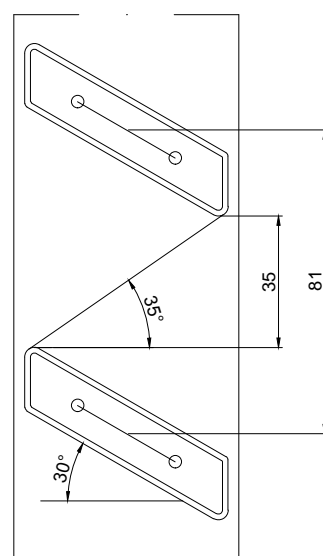
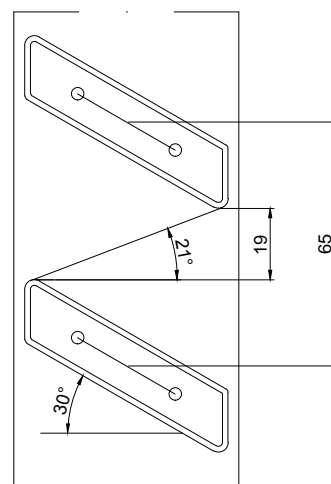
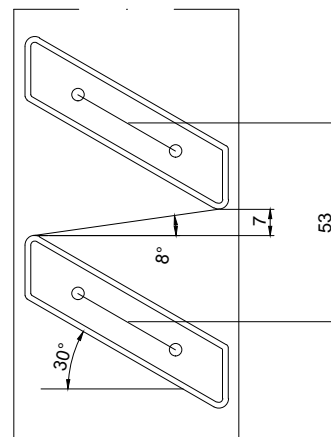
MODULES FOR FIN ALU  
ROUNDED 60X10



MODULES FOR FIN ALU  
FOIL 70x15



MODULES FOR FIN ALU  
RHOMBOID 68x16



# HunterDouglas

HUNTER DOUGLAS EUROPE B.V.

Architectural Projects

Window Coverings

Ceilings

Sun Control

Façades

Drwg.No.

SC-FS-FINS-2D-06

Subject: Folding shutter / fins

Date:

11.11.2014

Size:

A4

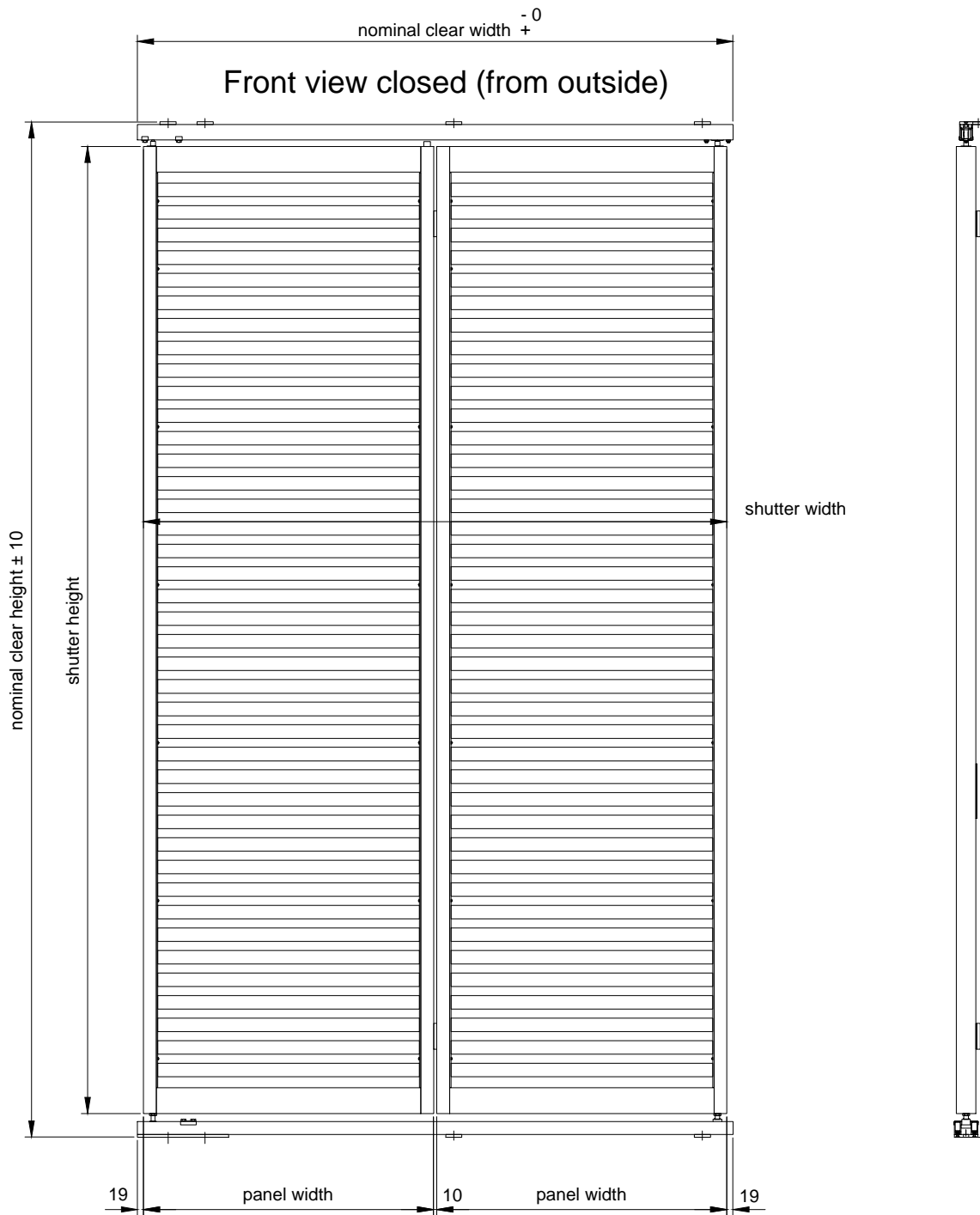
Scale:

1:2

Rev:

00

# Manual system



# HunterDouglas

HUNTER DOUGLAS EUROPE B.V.

Architectural Projects

Window Coverings

Ceilings

Sun Control

Façades

Drwg.No.

SC-FS-FINS-2D-07

Subject: Folding shutter / manual / fins view outside

Date:

11.11.2014

Size:

A4

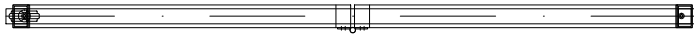
Scale:

1:20

Rev:

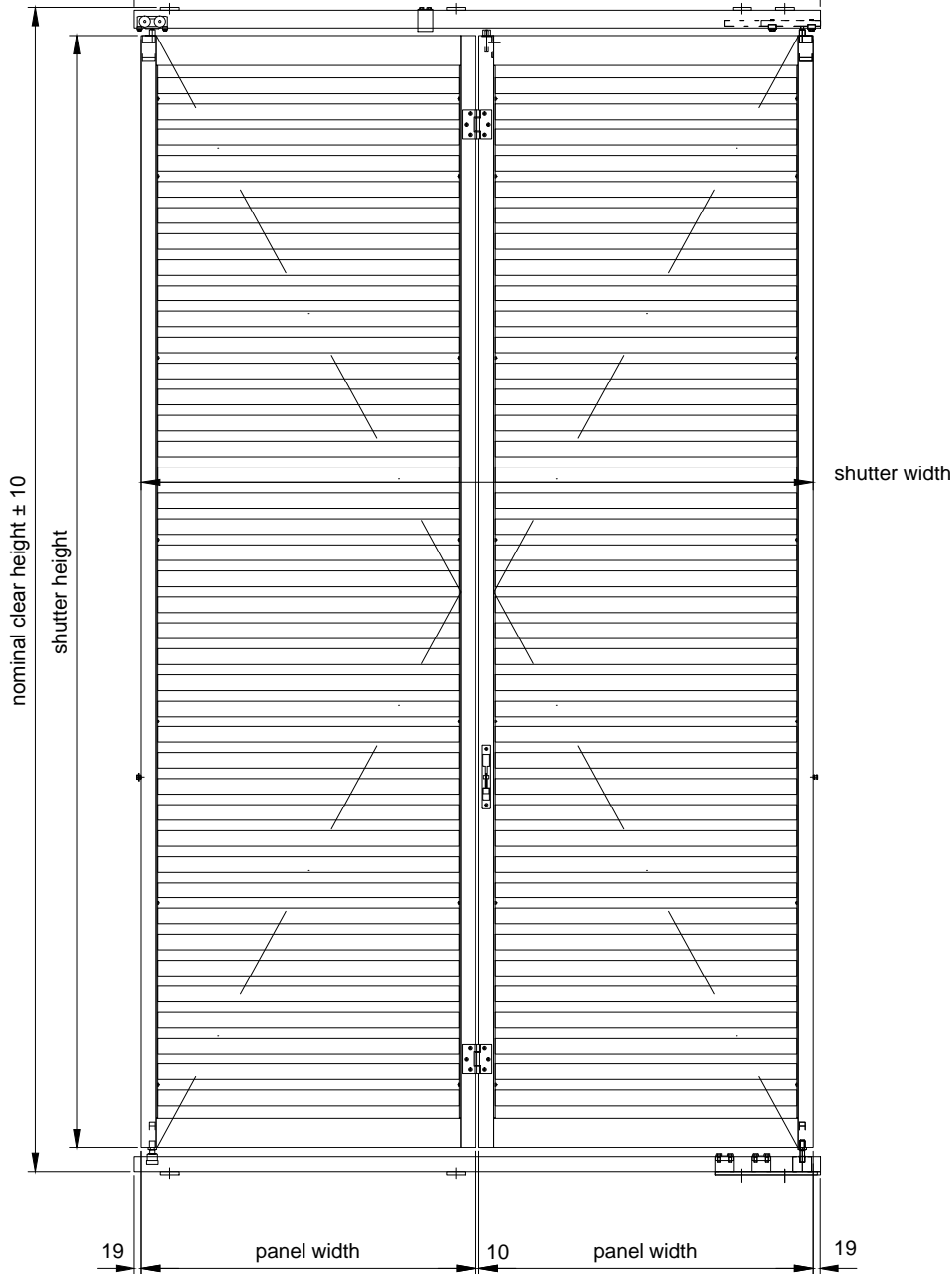
00

Top view closed



nominal clear width  $-0$   
 $+$

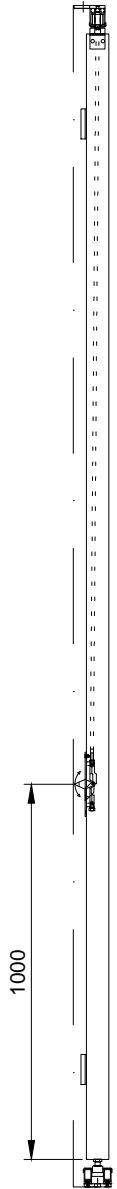
Front view closed (from inside)



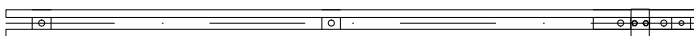
Section fins



Section espagnolette



Top view bottom rail



**HunterDouglas**

HUNTER DOUGLAS EUROPE B.V.

Architectural Projects

Window Coverings

Ceilings

Sun Control

Façades

Drwg.No.

SC-FS-FINS-2D-08

Subject: Folding shutter / manual / fins / closed

Date:

11.11.2014

Size:

A4

Scale:

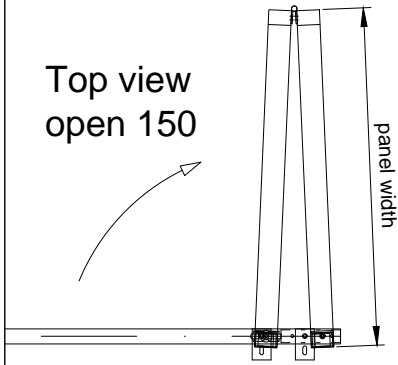
1:20

Rev:

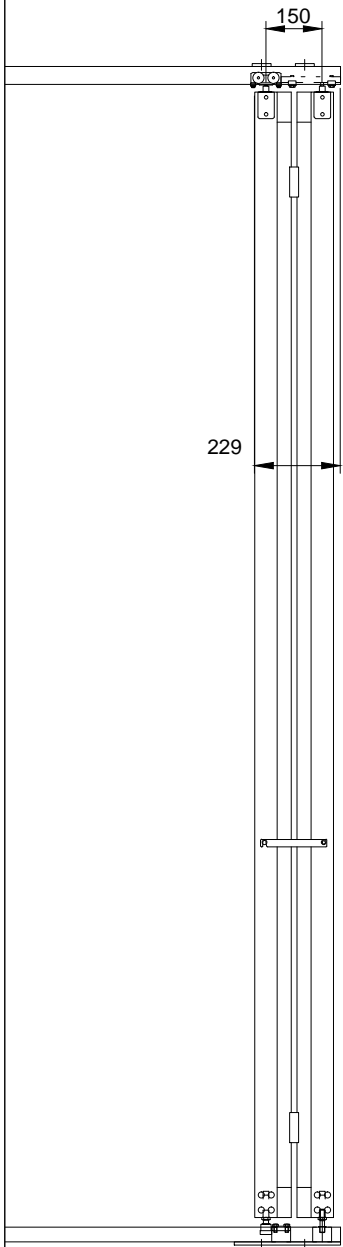
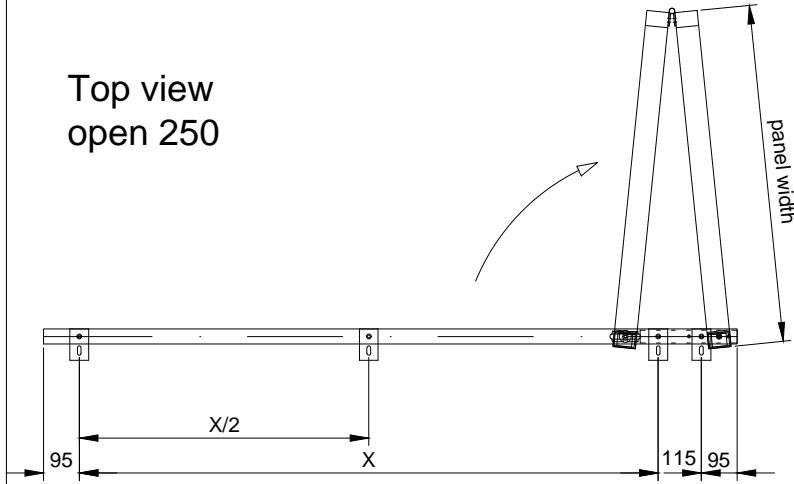
00



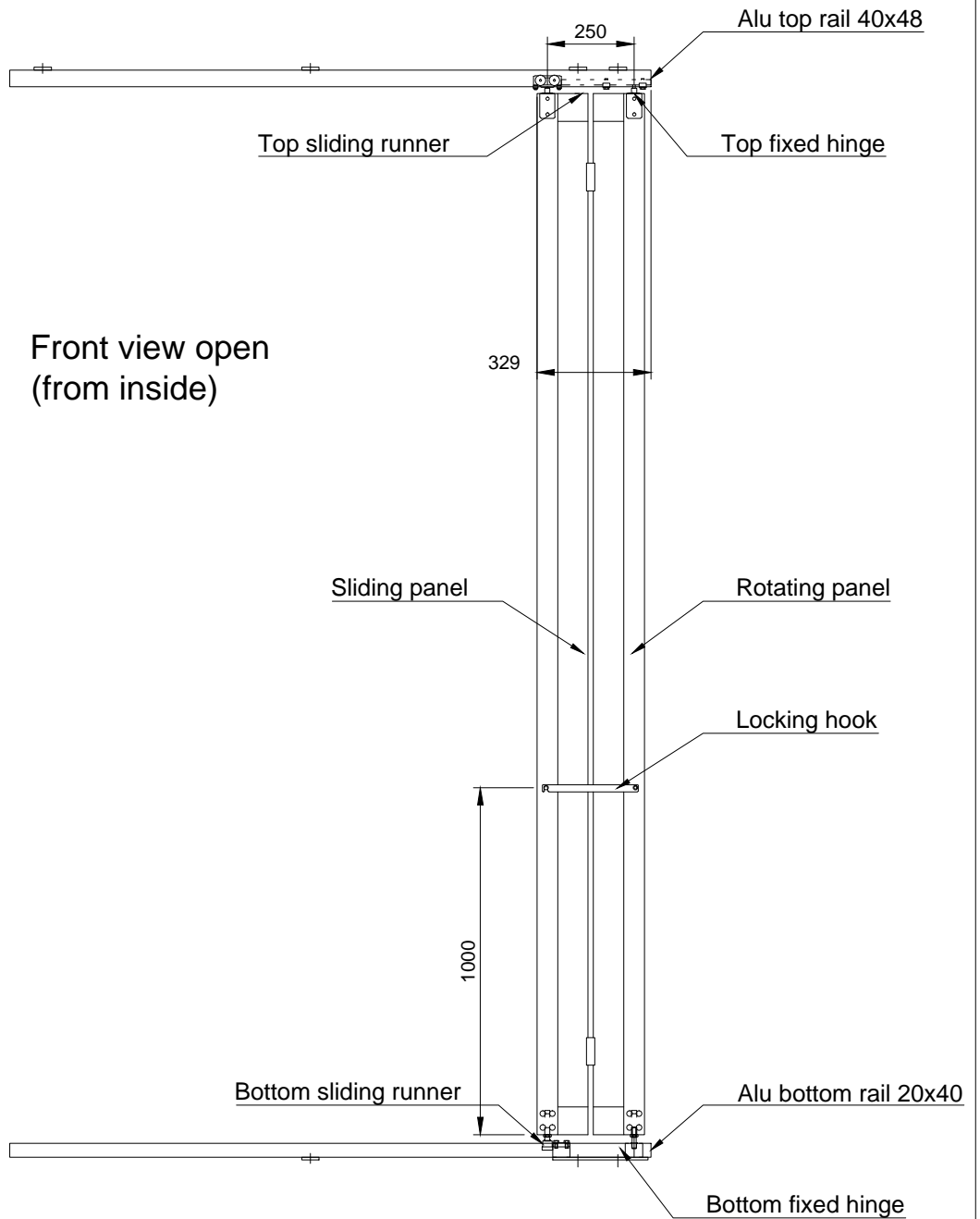
Top view  
open 150



Top view  
open 250



Front view open  
(from inside)



# HunterDouglas

HUNTER DOUGLAS EUROPE B.V.

Architectural Projects

Window Coverings

Ceilings

Sun Control

Façades

Drwg.No.

SC-FS-FINS-2D-09

Subject: Folding shutter / manual / open

Date:

11.11.2014

Size:

A4

Scale:

1:20

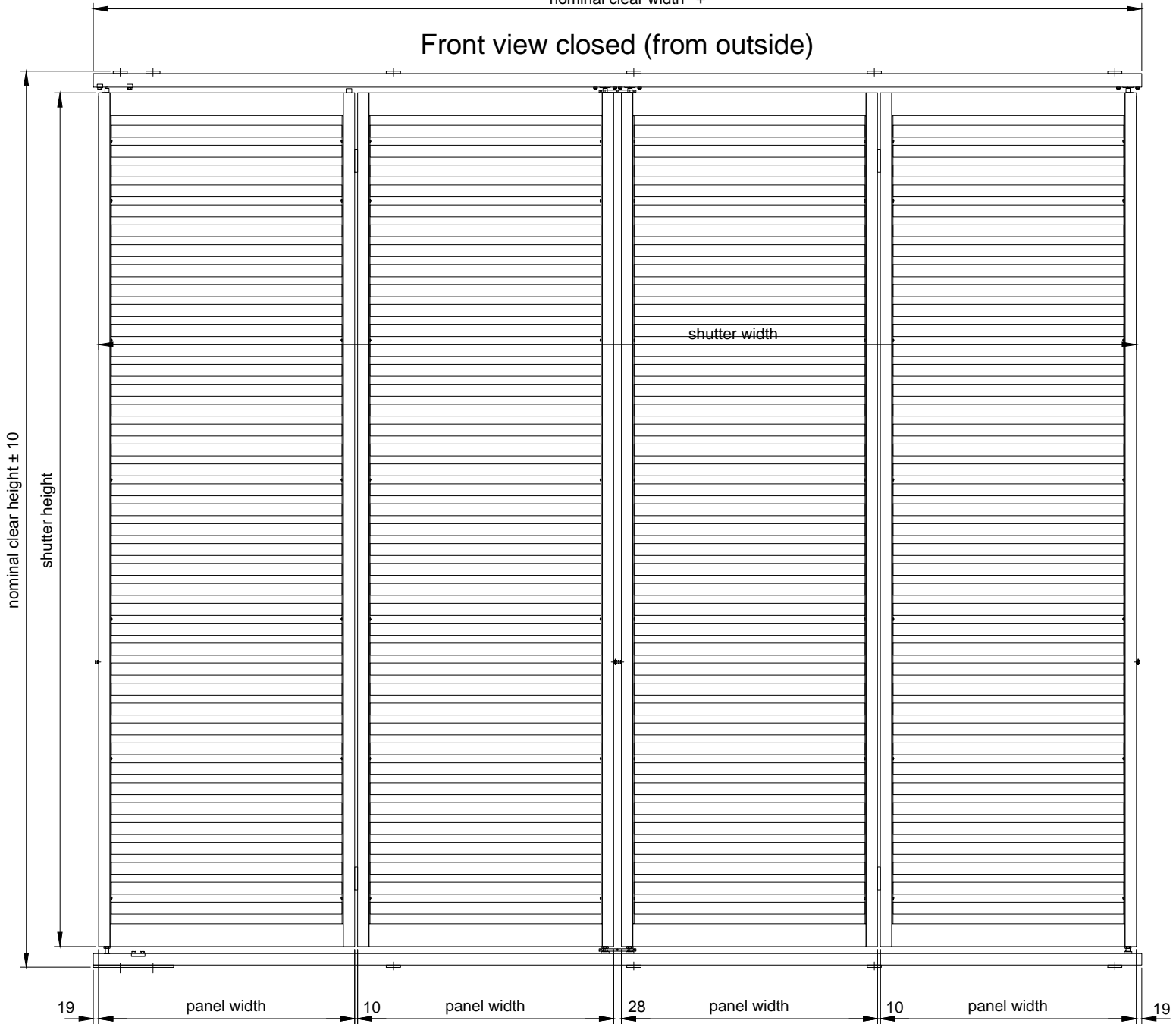
Rev:

00

# Manual system

nominal clear width  $\begin{matrix} -0 \\ + \end{matrix}$

## Front view closed (from outside)



# HunterDouglas

HUNTER DOUGLAS EUROPE B.V.

Architectural Projects

Window Coverings

Ceilings

Sun Control

Façades

Drwg.No.

SC-FS-FINS-2D-10

Subject: Folding shutter / manual W / outside

Date: 11.11.2014

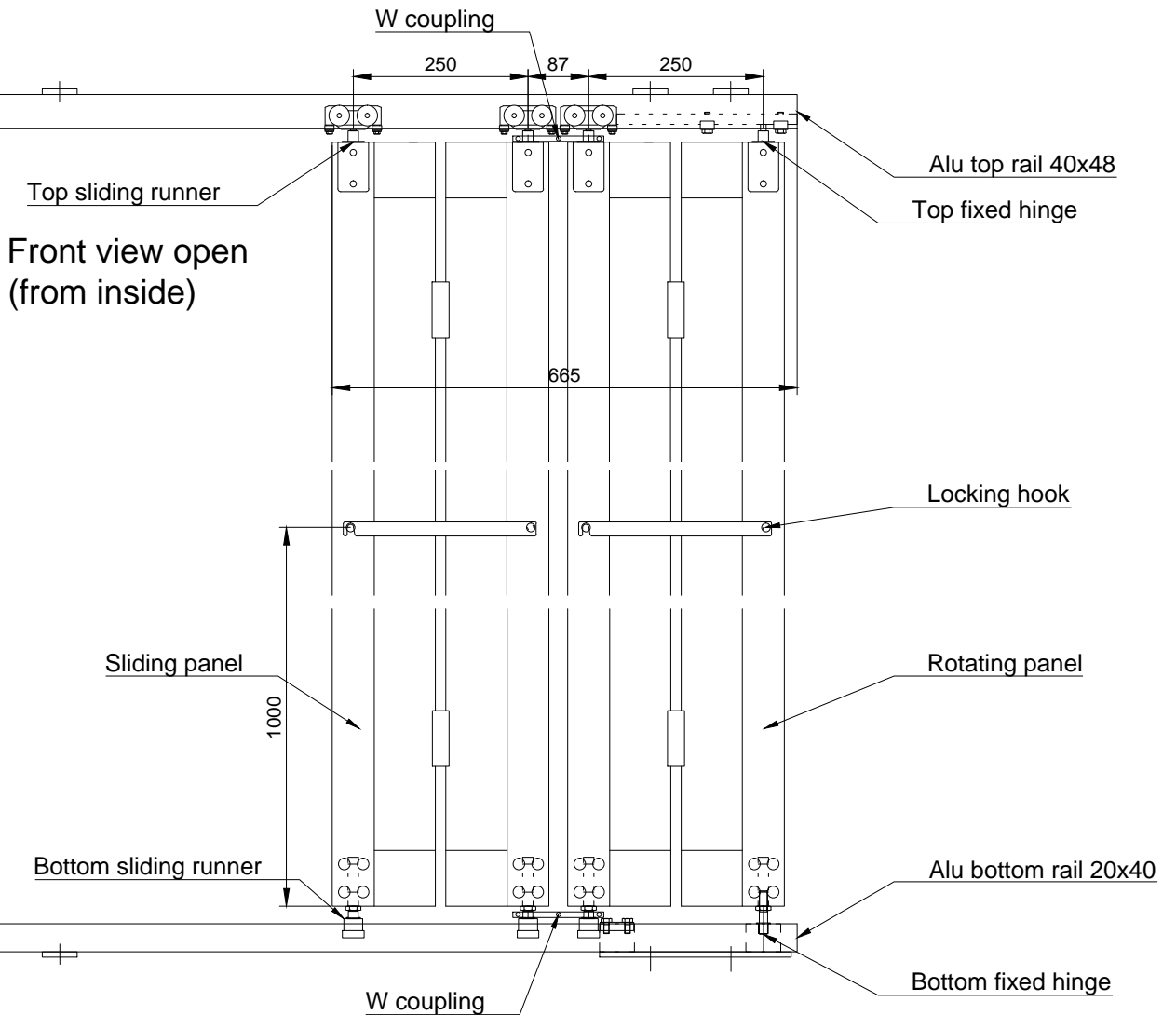
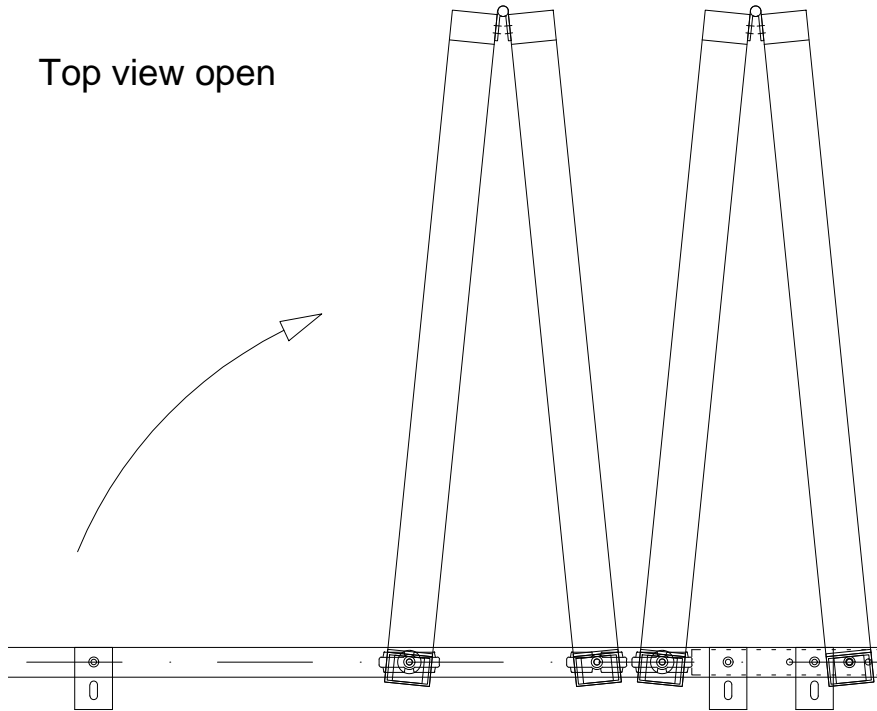
Scale: 1:10

Size: A4

Rev:

00

Top view open



# HunterDouglas

HUNTER DOUGLAS EUROPE B.V.

Architectural Projects

Window Coverings

Ceilings

Sun Control

Façades

Drwg.No.

SC-FS-FINS-2D-11

Subject: Folding shutter / manual / W / open

Date:

11.11.2014

Size:

A4

Scale:

1:20

Rev:

00