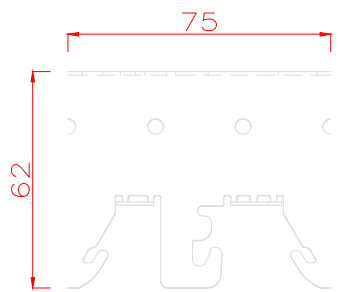
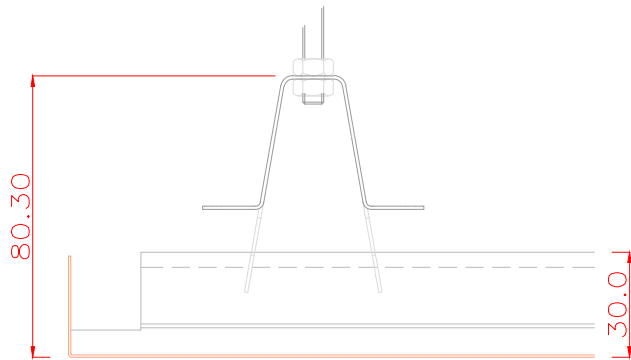
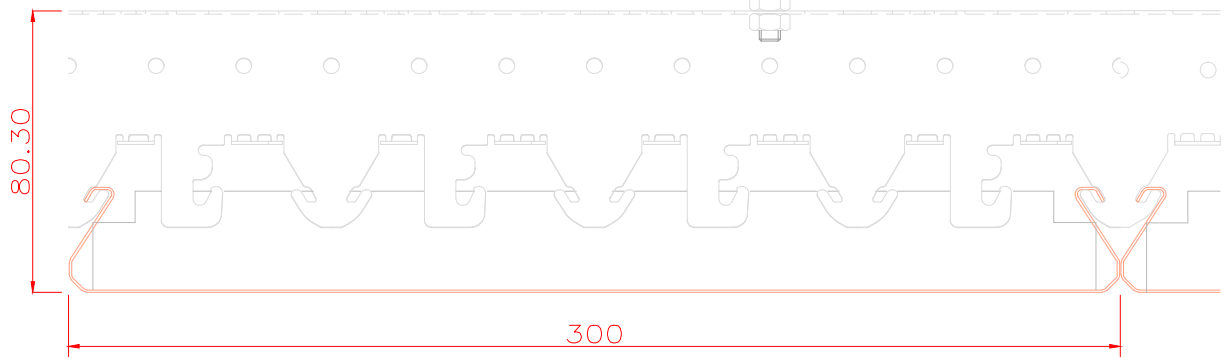


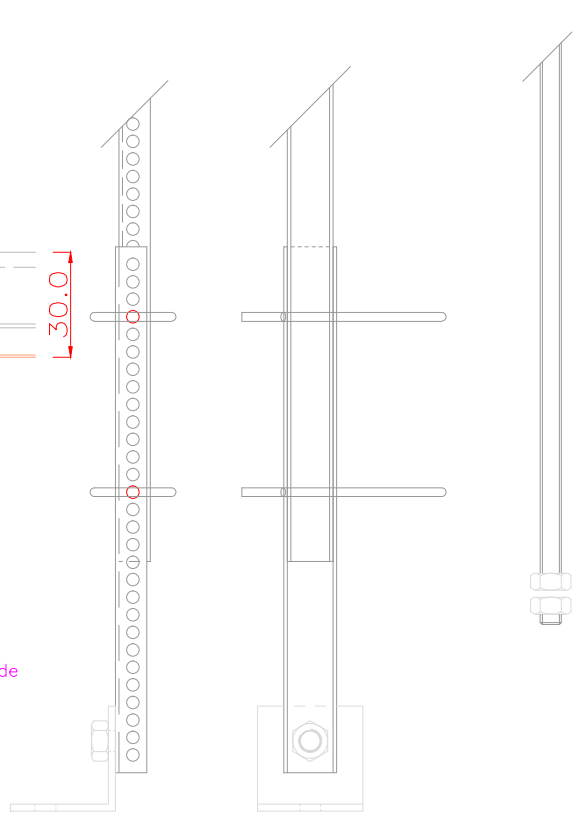
APPLICATIONS



CARRIER 300AC-side

ACC NUT M6-top

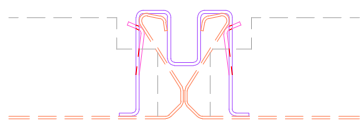
ACC NUT M6-side



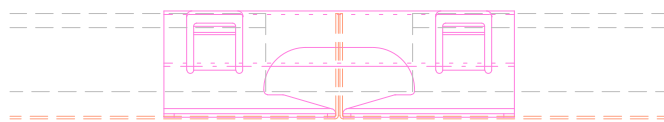
NONIUS SUSPENSION FOR CURVED CEILING-side

NONIUS SUSPENSION FOR CURVED CEILING-front

THREADED M6 SUSPENSION-side



PANEL END CONNECTOR 300C-side



PANEL END CONNECTOR 300C-side

HunterDouglas

HUNTER DOUGLAS EUROPE B.V.

Architectural Projects

Window Coverings

Ceilings

Sun Control

Façades

Drwg.No.

C-i-WP-300C-GE-2D-01

Date:

01-04-2014

Scale:

1:2

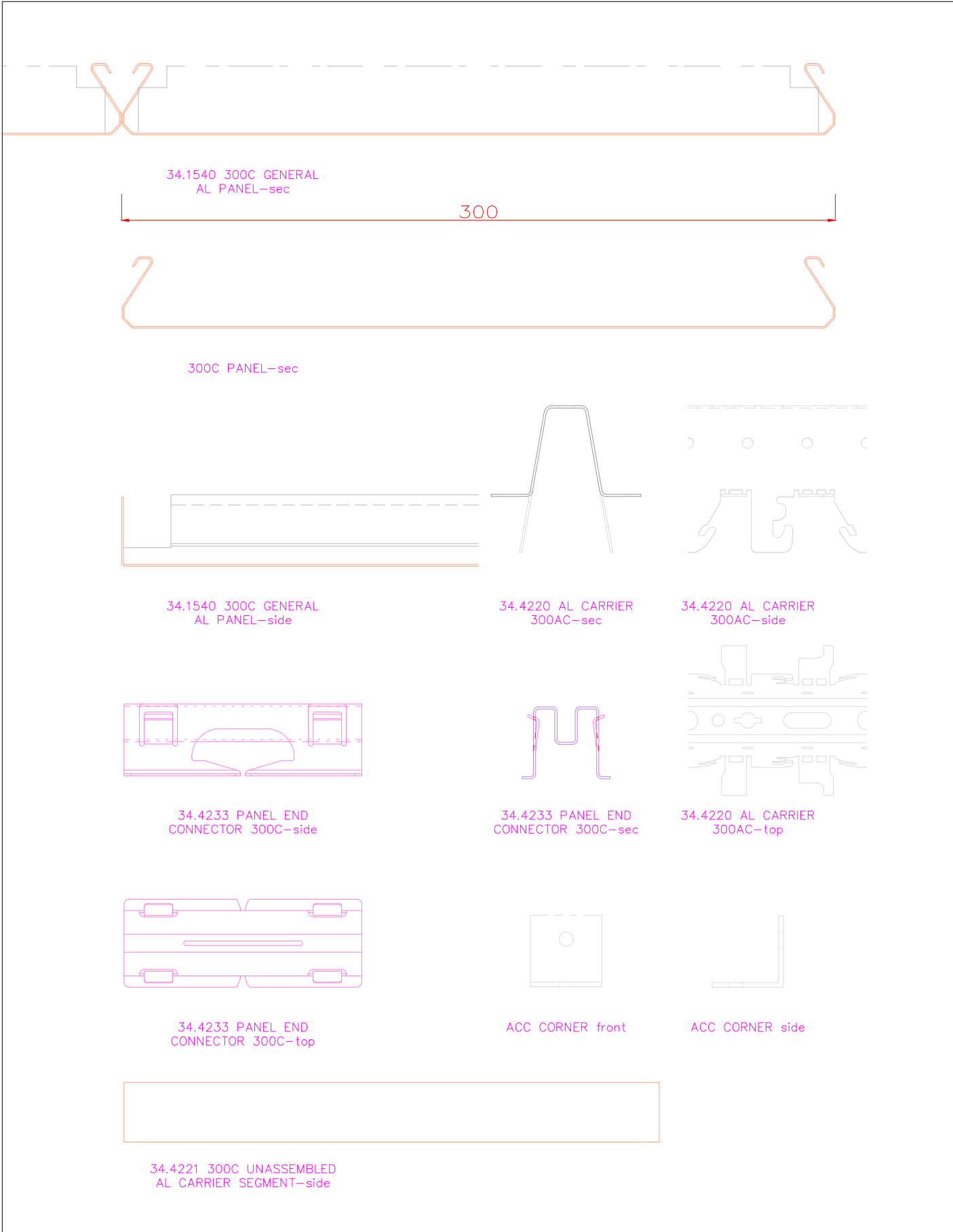
Size:

A4

Rev:

1.0

Subject: Interior 300C System General 2D-Elements



HunterDouglas

HUNTER DOUGLAS EUROPE B.V.

Architectural Projects

Window Coverings

Ceilings

Sun Control

Façades

Drwg.No.

C-i-WP-300C-GE-2D-02

Date:

01-04-2014

Scale:

1:2

Size:

A4

Rev:

1.0

Subject: Interior 300C System General 2D-Elements1



33.4789 SUSPENSION ELEMENT-side



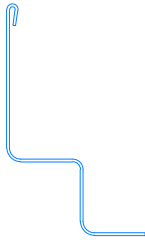
33.4789 SUSPENSION ELEMENT-front



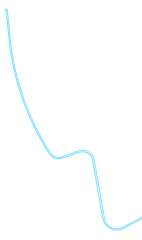
33.2428 EDGE PROFILE 0.8 AL-L 45x18.5-sec



33.5402 HOLD-DOWN CLIP FOR L EDGE PROFILE-side



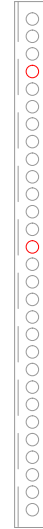
33.2424 EDGE PROFILE 0.8 AL-W 45x21x21x18.5-sec



33.5403 HOLD-DOWN CLIP FOR W EDGE PROFILE-side



34.4315 LOWER NONIUS HANGER-front



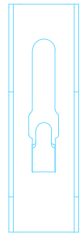
34.4315 LOWER NONIUS HANGER-side



34.4180 LUXALON EDGE COVER FIX PIECE - top



34.4180 LUXALON EDGE COVER FIX PIECE - side



34.4180 LUXALON EDGE COVER FIX PIECE - front



33.4173 CARRIER SPLICE-front



33.4173 CARRIER SPLICE-side



ACC THREADED M6-side

HunterDouglas

HUNTER DOUGLAS EUROPE B.V.

Architectural Projects

Window Coverings

Ceilings

Sun Control

Façades

Drwg.No.

C-i-WP-300C-GE-2D-03

Date:

01-04-2014

Scale:

1:2

Size:

A4

Rev:

1.0

Subject: Interior 300C System General 2D-Accessories